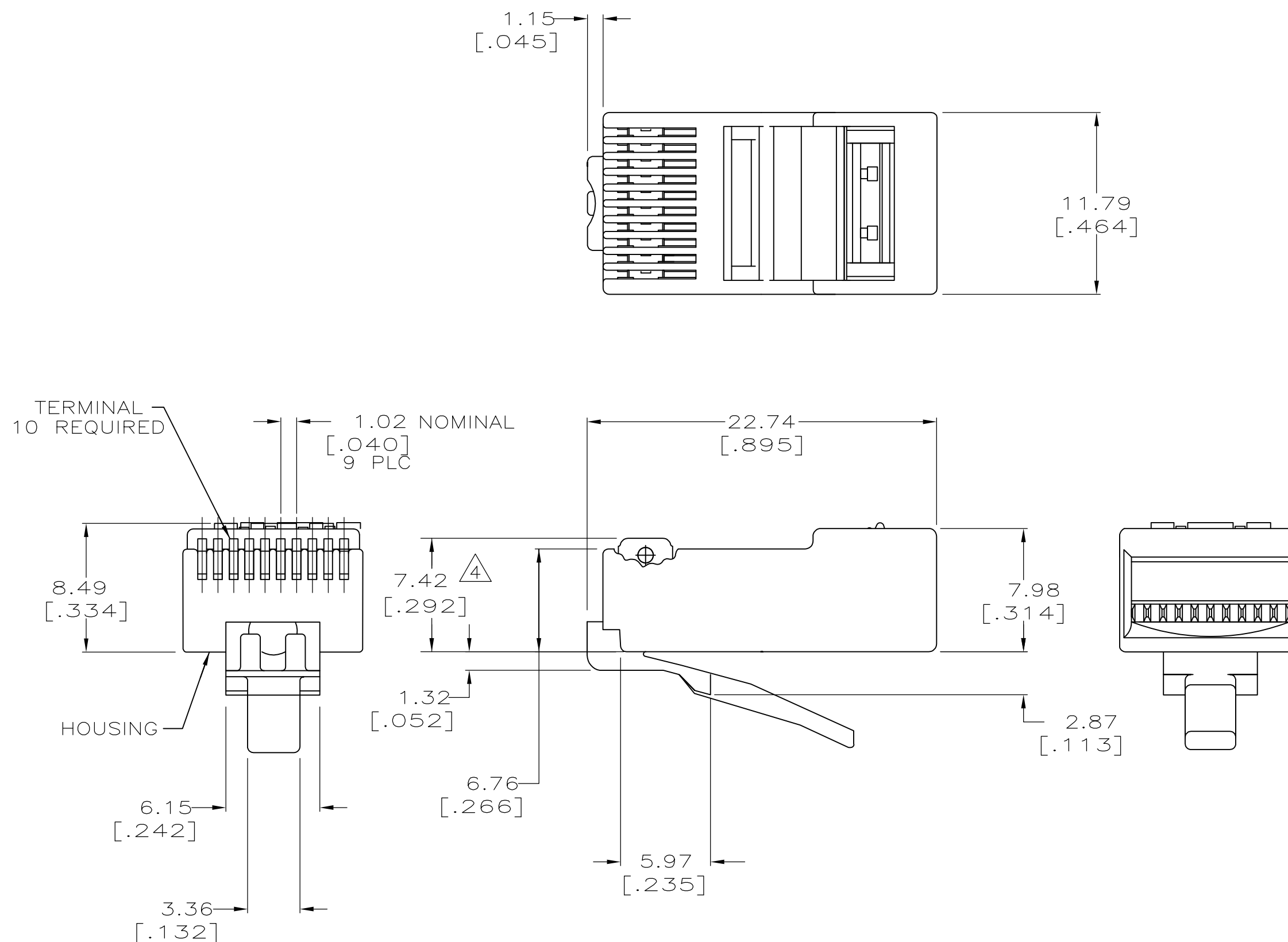


THIS DRAWING IS UNPUBLISHED. RELEASED FOR PUBLICATION
 © COPYRIGHT BY TYCO ELECTRONICS CORPORATION. ALL RIGHTS RESERVED.

LOC	DIST	REVISIONS					
		P	LTR	DESCRIPTION	DATE	DWN	APVD
HM	00	B		ECO-06-021606	13OCT06	JM	CD
		C		REV ECO-08-007212	31MAR08	LH	BM

- 1. DIMENSIONS ARE MAXIMUM UNLESS OTHERWISE SPECIFIED.
- 2. MATERIAL: HOUSING— POLYCARBONATE, CLEAR
 TERMINAL— PHOSPHOR BRONZE, PLATED WITH 1.27µm [.000050] MINIMUM THICK GOLD IN LOCALIZED GOLD PLATE AREA, GOLD FLASH OVER THE REMAINDER, OVER 2.54µm [.000100] MINIMUM THICK NICKEL UNDERPLATE.
- 3. PLUG WILL ACCEPT 24 TO 28 AWG STRANDED WIRE, 0.74–0.99 [.029–.039] DIAMETER, WITH A 5.34 [.210] DIAMETER JACKET.
- 4. TERMINATED DIMENSION 6.15 [.242] MAXIMUM.
- 5. 500 ASSEMBLIES PER PACKAGE.
- 6. 100 ASSEMBLIES PER PACKAGE.



6	5-557963-3
5	5-557963-2
PACKAGED	PART NUMBER

THIS DRAWING IS A CONTROLLED DOCUMENT.		DWN B. SIMPSON 24-APR-93	Tyco Electronics Corporation Harrisburg, PA 17105-3608	
DIMENSIONS: mm [INCHES]		CHK C. WHITT 11-MAY-93	NAME	
TOLERANCES UNLESS OTHERWISE SPECIFIED:		APVD M. HAWKINS 14-MAY-93	MODULAR PLUG ASSEMBLY, 10 POSITION, ROUND CABLE, STRANDED WIRE	
0 PLC ± -		PRODUCT SPEC	SIZE CAGE CODE DRAWING NO RESTRICTED TO	
1 PLC ± -		108-1163	A2 00779 C=557963	
2 PLC ± -		APPLICATION SPEC	SCALE SHEET REV	
3 PLC ± -		114-6016	4:1 1 of 1 C	
4 PLC ± -		WEIGHT		
ANGLES ± -		CUSTOMER DRAWING		
FINISH				